

ROBUST. VERSITILITY. EASE OF USE.

The CALDER HYDROPRO™ Console can perform a wide variety of pressure tests with unsurpassed quality and ease of use for your valve testing needs.



ROBUST

All internal parts are designed to work at advertised testing pressure which allows you to perform all your tests with confidence.

Heavy-duty console walls built with 12 gage steel protects internal components from damage and allows console to be used in an industrial environment.

ISO 9001 certified ensures manufacturing to the highest quality standards.

CE certified for use in the European Union or any country where CE certification is required.

VERSITILITY

Many testing options available such shell, seat leakage with drip tube, single-sided pressurization, double-sided pressurization, low pressure air test, air pilot actuation, vacuum pilot actuation, and many others.

Can be paired with CALDER clamp systems HYDROPRO™ Universal Straight Valve Tester and the HYDROPRO™ Universal Flange Valve Tester for testing many types of valves.

Capable of blind flange testing giving you the flexibility to test larger valves without requiring a larger clamping system.

Can be used to pressure other components such as heat exchangers.

Easily expandable to add on test capability later.

EASE OF USE

Intuitive control panel layout makes performing a test procedure efficient and easy on the operator.

Extensive operating manual contains easy to follow test procedures.

Only shop air and water needed for functionality.

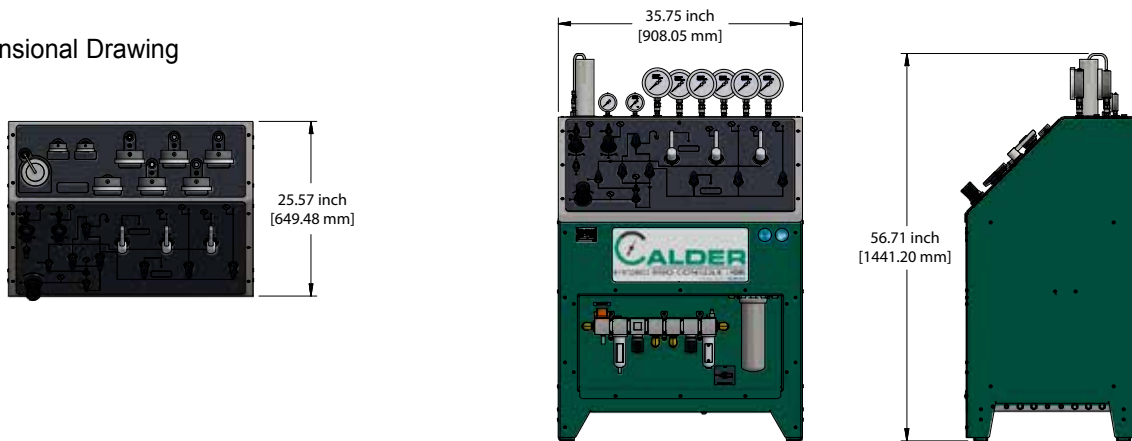
Quick-connect gauges can easily be removed for maintenance and or calibration.

Quick-fill water circuit allows you to fill valves up fast to reduce overall test time.

CALDER SPECIFICATIONS

	HPC 6K SYSTEM	HPC 10K SYSTEM
Machine Performance Ranges		
Hydrostatic pressure	300 - 5,700 psi (21 - 393 bar)	400 - 9,700 psi (28 - 669 bar)
Low-pressure air	5 - 125 psi (.34 - 8.62 bar)	
Air pilot actuation pressure	5 - 125 psi (.34 - 8.62 bar)	
Vacuum pilot actuation pressure	0 - 28 inHG (vac)	
Quick fill	3 GPM (11.4 L/min)	
Water filtration	125 micron	
Water inlet pressure	50 psi (3.45 bar) recommended 70 psi (4.83 bar) maximum 25 psi (1.72 bar) minimum	
Gauge accuracy, analog	0.5% F.S.	
Gauge accuracy, digital (optional)	0.25% F.S.	
System pressure decay (block valve to outlet port)	100 psi/10 minutes maximum (6.89 bar/10 minutes maximum)	
Hydrostatic test media	Water Glycol Water / soluble oil blends	
Shop air requirement	40 scfm @ 100 - 150 psi (1.13 m ³ /min @ 6.89 - 10.34 bar)	
Water requirement	3 GPM minimum @ 50 psi (11.4 L/min minimum @ 3.45 bar) 5 GPM @ 50 psi (18.9 L/min @ 3.45 bar) recommended	
Pump lubrication requirement	General purpose air tool oil, 25 - 30 pump strokes per drop	
Measures and Weight		
Machine weight	360 lbs (163.3 kg)	
Shipping weight	445 lbs (201.8 kg)	
Crate dimensions	51 X 38.5 X 66 inches (1295.4 X 977.9 X 1676.4 mm)	
Machine dimensions	Please refer to below dimensional drawing	

Dimensional Drawing



CALDER APPLICATIONS

Industries:

Military (Nuclear)	Power generation (Nuclear,	Valve service industry
Oil & Gas (Upstream,	Geo-Thermal, Fossil)	Valve manufacturing
Pipeline, Downstream)	Chemical processing	

Typical Applications:

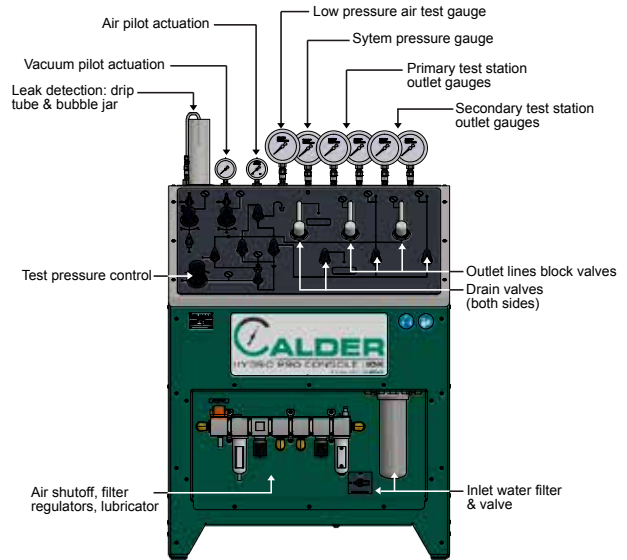
Gate Valve Testing	Ball Valve Testing
Globe Valve Testing	Butterfly Valve Testing
Check Valve Testing	Blind Flanges

All dimensions should be considered reference. Contact your Calder Representative for precision dimensions. Specifications are subject to change without notice. There are no systems or components on this machine that are capable of producing hazardous EMC, UV or other radiation hazards. The machine does not use lasers nor does it create hazardous materials such as gasses or dust.

CALDER COMPONENT CONFIGURATIONS

To configure your **HYDROPRO™ CONSOLE** simply select from the options you need then contact your CALDER representative.

The HYDROPRO™ Console comes standard with either 6,000 PSI (414 bar) or 10,000 PSI (689 bar) hydrostatic pump(s), water quick fill option, low pressure air circuit and operators manual.



HYDROPRO™ CONSOLE HPC 6K (6,000 PSI / 414 bar)

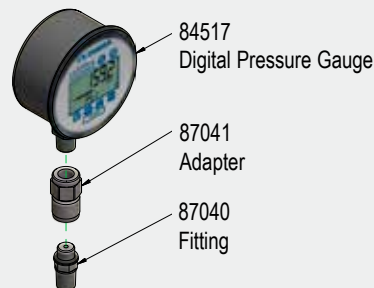
Options	87781	87782	87783	87784	87785	87104
Single-sided pressurization	√					
Double-sided pressurization		√	√	√	√	√
Single-sided pressurization, secondary				√		
Double-sided pressurization, secondary					√	√
Leak detection			√		√	√
Air pilot actuation						√
Vacuum pilot actuation						√

HYDROPRO™ CONSOLE HPC 10K (10,000 PSI / 689 bar)

Options	87776	87777	87778	87779	87780	87102
Single-sided pressurization	√					
Double-sided pressurization		√	√	√	√	√
Single-sided pressurization, secondary				√		
Double-sided pressurization, secondary					√	√
Leak detection			√		√	√
Air pilot actuation						√
Vacuum pilot actuation						√

Accessories for use with HYDROPRO™ CONSOLE

- 84517 Digital Pressure Gauge
- 87041 Adapter
- 87040 Fitting



CALDER VALVE INSTITUTE AND CARE PROGRAM

CALDER VALVE INSTITUTE

CALDER has been teaching the fundamentals and fine points of valve testing operation for as long as we've been inventing and building the systems. CALDER institute offers:

- Training Institutes in Portland OR, Houston TX, Manchester UK, Duren Germany, and Dubai UAE, among others
- Safety training
- Machine set up and operation
- Technical tips and tools to improve operational performance and efficiency
- Hands on training and valve testing skill development

Whether it's a regularly scheduled course at one of our CALDER Institutes, or a custom curriculum conducted at your facility, your valve test operators will benefit from courses developed by the most experienced and respected professionals in the business.



CALDER CARE PROGRAM

Preventative maintenance and service package includes:

- Parts Replacement Guarantee – All parts replaced for the term of the package
- Technical Assistance by Phone – A CALDER CARE Hotline for 24/7 US-based expert advice from repair professionals
- On-Site Preventive Maintenance – Yearly PM visit by a Certified CALDER Service Technician
- Extended Warranty Coverage – CALDER is the only company in our industry with a standard 2 year warranty and offering extended warranty programs out to 5 years!

Call CALDER for:

RENTALS

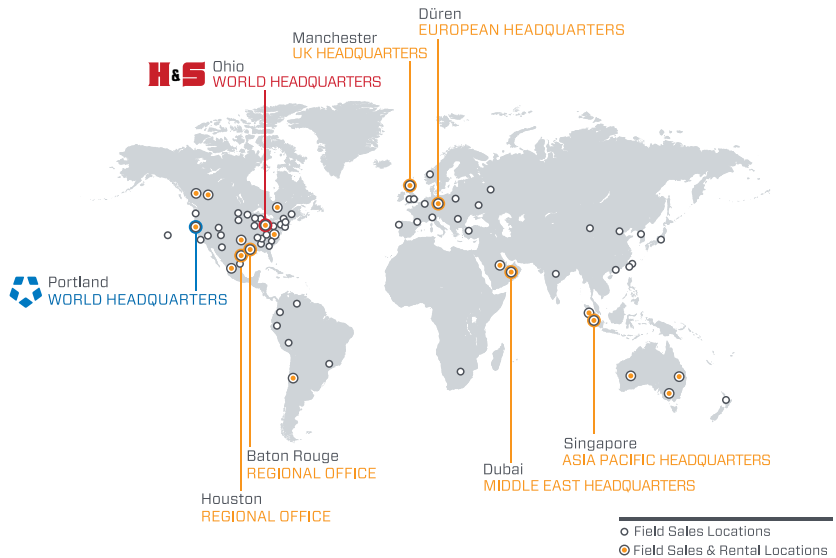
On selected models. With 20+ worldwide rental depot locations, you are never far away from a CALDER system.

ON-SITE TRAINING

If you need training or on-site consultation, we're famous for it!

CUSTOM PROJECTS

Custom turn-key system design services from the most experienced engineers and valve test experts in the business!



Connect with us: [f](#) [t](#) [in](#) [g+](#)

CLIMAX World Headquarters - USA

Address: 2712 E. 2nd St, Newberg, Oregon 97132
Tel: +1 503 538 2185
Fax: +1 503 538 7600
Email: info@cpmt.com

H&S World Headquarters - USA

Address: 715 Weber Dr., Wadsworth, Ohio 44281
Tel: +1 330 336 4550
Fax: +1 503 538 7600
Email: info@hstool.com

Asia Pacific Headquarters

Address: 316 Tanglin Rd #02-01, Singapore 247978
Tel: +65 9647 2289
Fax: +65 6801 0699
Email: info@cpmt.com

European Headquarters

Address: Am Langen Graben 8, 52353 Düren, Germany
Tel: (+49) (0) 2421 9177 0
Fax: (+49) (0) 2421 9177 29
Email: info@cpmt.de

Middle East Headquarters

Address: Warehouse #5, Plot: 369 272, Um Sequim Road, Dubai, UAE
Tel: +971 4 321 0328
Email: info@cpmt.com

United Kingdom Headquarters

Address: Unit 7 Castlehill Industrial Estate, Bredbury Industrial Park, Horsfield Way, Stockport SK6 2SU
Tel: +44 (0) 161 406 1720
Email: info@cpmt.com