

## PORTABLE. ROBUST. EASY TO USE.

The CALDER TURN-AROUND-TESTER™ can efficiently perform a wide variety of pressure tests and can easily be transported to and used on job sites.



### PORTABLE

**Compact size** allows for transport and use in the bed of a truck. Optional stands available for off truck use.

**Clamp fixture and console paired in one frame** keeps everything you need together during transport or on the job site.

**Convenient rigging points and frame designed for forklifts** provide for easy lifting.

**Conforms to specified API-598** and allows operator to perform hydrostatic valve testing in non-traditional environments.

### ROBUST

**Every component in the TAT pressure circuit is OEM-certified to the maximum specified testing pressure of the system** for increased quality, durability and safety.

**Heavy-duty vibration isolating frame and console walls** are equipped with air bags to protect the machine from vibration during transport.

**ISO 9001 certified** ensures all CALDER products are manufactured to the highest quality standards.

**Standard 2-year warranty is the longest in the industry!** We're confident in our quality, and we back it up! And – ask us how to extend your warranty out to 5 years . . .

**CE certified and available world-wide!** All CALDER products are available for sale world-wide, including in the European Union and other locations where CE certification is required.

**Patent Pending Safety Interlock system** with interlocking control valves that will not release the clamp pressure until the test pressure drain valve is opened and internal test pressure is released.

**Test control panel location provides a splash shield** between the operator and the clamp table.

### EASY TO USE

**Intuitive control panel layout** makes performing a test procedure efficient and easy on the operator.

**Consoles at working height** when on the back of a pick-up bed or on the optional stands.

**Viewing window** allows observation of the valve during the testing process.

**Extensive operating manual** contains easy to follow tips and includes step-by-step set up instructions for various valve testing operations.

**Quick-connect test pressure gauges** can easily be removed for the quick calibration or removal of gauges for transport.

**Only shop air and water needed** for functionality.

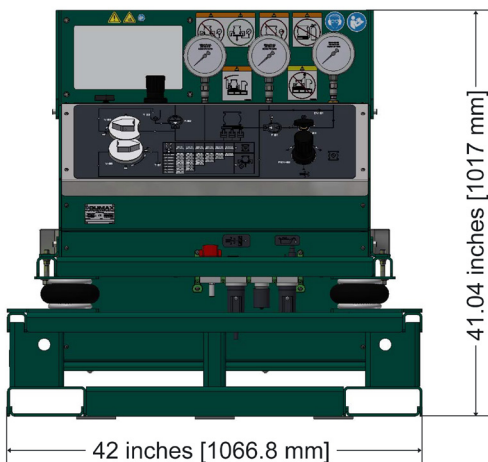
# WHY CHOOSE CALDER!

- Ⓒ The modular, highly configurable and field-upgradable design of the new CALDER tester platform is the most flexible and cost-effective way to manage all your valve testing requirements. It can grow and evolve your business
- Ⓒ The new CALDER test systems are designed to be more accurate and precise than other comparable products
- Ⓒ Unique to the valve testing industry, every CALDER component is OEM certified to the maximum pressure specification of the system, for enhanced safety, quality and durability
- Ⓒ CALDER offers users the ability to simultaneously test multiple valves with one system
- Ⓒ Unmatched in the industry, all CALDER systems are backed by a 2 year warranty
- Ⓒ CALDER has global reach and local support through CLIMAX's vast world-wide network
- Ⓒ CALDER offers a complete line of Valve Repair Machines for lapping, grinding and specialized valve machining operations
- Ⓒ CALDER offers a full portfolio of Test Barriers and Hydraulic Seal Clamps among other products
- Ⓒ CALDER offers SMARTEST™ intelligent data acquisition, analysis and control systems for use with our testers
- Ⓒ Custom turn-key system design services from the most experienced engineers
- and valve test experts in the business
- Ⓒ Outrageously good customer service. We are available 24/7!
- Ⓒ End-to-End Solutions; from products, consulting, engineering, custom design, training, start-up, after-sale service, spare parts, repair, and rentals, CALDER offers unmatched value in our industry
- Ⓒ All CALDER products are CE certified and manufactured in our ISO 9001 certified factory
- Ⓒ All CALDER products are proudly made in the USA

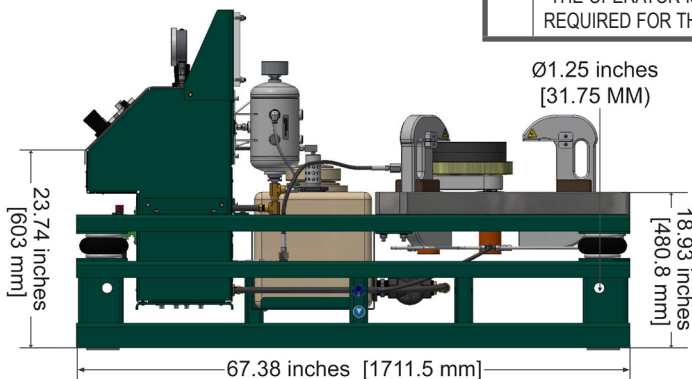


## SPECIFICATIONS

All dimensions should be considered reference. Contact your Calder Representative for precision dimensions. Specifications are subject to change without notice. There are no systems or components on this machine that are capable of producing hazardous EMC, UV or other radiation hazards. The machine does not use lasers nor does it create hazardous materials such as gasses or dust.



		TAT					
		ANSI Class*					
		150	300	600	900	1500	2500
		Maximum Test Pressure PSI (Bar)*					
Valve Coverage (Flat / Raised Face Flanges)	Valve Size (nominal)	450 PSI (31 Bar)	1125 PSI (76 Bar)	2250 PSI (155 Bar)	3375 PSI (233 Bar)	5625 PSI (388 Bar)	9375 PSI (646 Bar)
	Inch (mm)						
	1.5 (38.1)	300 (21 Bar)	600 (41 Bar)	1100 (76 Bar)	1600 (110 Bar)	2600 (179 Bar)	4300 (297 Bar)
	2 (50.8)	400 (28 Bar)	1000 (69 Bar)	1900 (131 Bar)	2800 (193 Bar)	4600 (317 Bar)	
	3 (76.2)	700 (48 Bar)	1700 (117 Bar)	3300 (228 Bar)	4900 (338 Bar)		
	4 (101.6)	1100 (76 Bar)	2800 (193 Bar)	5500 (379 Bar)			
	5 (127)	1600 (110 Bar)	3900 (269 Bar)				
	6 (152.4)	2200 (152 Bar)	5500 (379 Bar)				
	8 (203.2)	3600 (248 Bar)					
Specifications	Clamp force: 25 tons (22.7 tonnes)						
	Maximum flange thickness: 2.75 in. (70 mm)						
	Maximum valve weight: 600 lbs (272 kg)						
	Approximate overall dimensions: 67.38 in L x 42 in W x 41.04 in H (1711.5 mm L x 1066.9 mm W x 1042.4 mm H)						
	Approximate machine weight: 1650 lbs (748 kgs)						
Approximate shipped weight: 1900 lbs (862 kgs)							
*THE OPERATOR IS RESPONSIBLE TO SELECT THE ACTUAL TEST PRESSURE THAT IS REQUIRED FOR THE VALVE UNDER THE TEST. SEE OPERATING MANUAL.							



**Power required:** compressed air requirement, 40 SCFM at 100 - 150 PSI (6.9 - 10.3 bar).

# TAT CONFIGURATIONS

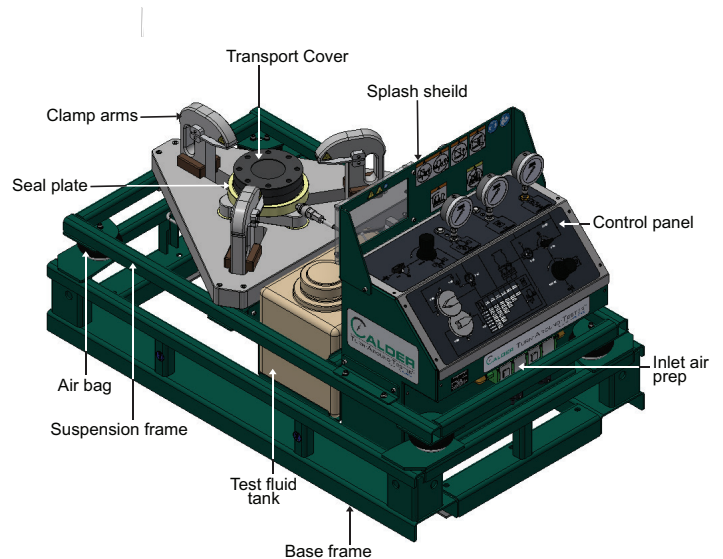


To configure your **TURN-AROUND-TESTER™** simply select from the options you need then contact your CALDER representative.

The **TURN-AROUND-TESTER** comes standard with 6,000 PSI (413 bar) rated hydraulic clamping components and plumbing, air-operated hydraulic pump rated to 10,700 PSI (738 bar) preset to 9850 PSI (679 bar), safety interlock system, nickel plated steel seal plate, analog clamp and test pressure gauges, hydraulic reservoir, air regulator kit, splash shield, hydraulic clamping chart and operator's manual.

## TURN-AROUND-TESTER™

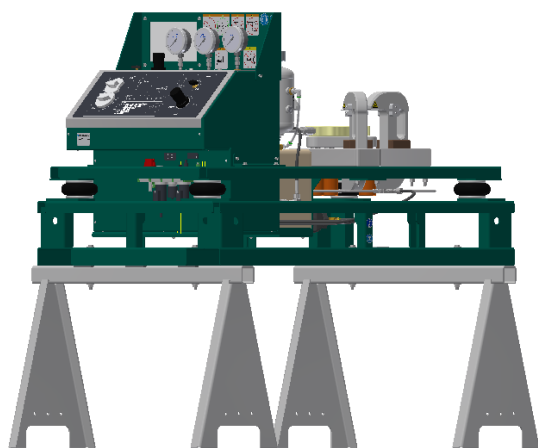
Options	Part Number
Turn-Around-Tester System	90087
Turn-Around-Tester System w/SRV kit*	90088



# ACCESSORIES

Options	Part Number
SRV kit (4500 PSI)*	88913
Stand set (set of 2)	90090

\* SRV kit allows the user to check set points as well as leak checking with steady gauges.



Optional stands are available for use in shop.

## A NEW REVOLUTION IN PORTABLE

The **TURN-AROUND-TESTER™** (TAT) is the perfect solution for service teams to complete in-field testing of freshly refurbished Control and Safety Relief valves. The self-contained **TURN-AROUND-TESTER™** will fit in any full sized pickup bed with the controls positioned to ergonomically allow the operator to complete the testing even when it's still in the vehicle. The TAT has built-in air bags to protect the control system components during transport. Pair the TAT with a set of CALDER valve grinding and lapping machines and you have a one stop valve refurbishment system to complete on-sight services anywhere your industry requires.



# CALDER VALVE INSTITUTE AND CARE PROGRAM

## CALDER VALVE INSTITUTE™

CALDER has been teaching the fundamentals and fine points of valve testing operation for as long as we've been inventing and building the systems. CALDER VALVE INSTITUTE™ offers:

- Training Institutes in Portland OR, Houston TX, Manchester UK, Düren Germany, and Dubai UAE, among others
- Safety training
- Machine set up and operation
- Technical tips and tools to improve operational performance and efficiency
- Hands on training and valve testing skill development

Whether it's a regularly scheduled course at one of our CALDER Institutes, or a custom curriculum conducted at your facility, your valve test operators will benefit from courses developed by the most experienced and respected professionals in the business.

## CALDER CARE PROGRAM

Preventative maintenance and service package includes:

- Parts Replacement Guarantee – All parts replaced for the term of the package
- Technical Assistance by Phone – A CALDER CARE Hotline for 24/7 US-based expert advice from repair professionals
- On-Site Preventive Maintenance – Yearly PM visit by a Certified CALDER Service Technician
- Extended Warranty Coverage – CALDER is the only company in our industry with a standard 2 year warranty and offering extended warranty programs out to 5 years!



## Call CALDER for:

### RENTALS

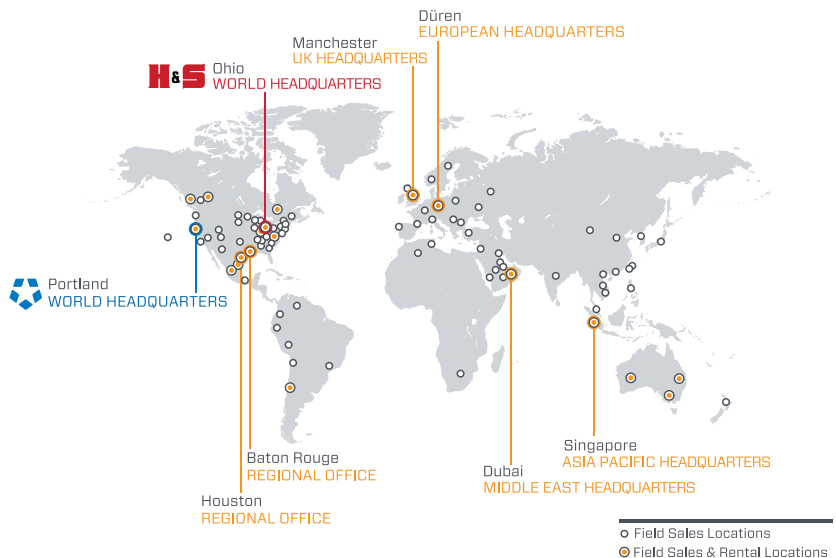
On selected models. With 20+ worldwide rental depot locations, you are never far away from a CALDER system.

### ON-SITE TRAINING

If you need training or on-site consultation, we're famous for it!

### CUSTOM PROJECTS

Custom turn-key system design services from the most experienced engineers and valve test experts in the business!



Connect with us:    

### CLIMAX World Headquarters - USA

Address: 2712 E. 2nd St., Newberg, Oregon 97132  
Tel: +1 503 538 2185  
Fax: +1 503 538 7600  
Email: info@cpmt.com

### H&S World Headquarters - USA

Address: 715 Weber Dr., Wadsworth, Ohio 44281  
Tel: +1 330 336 4550  
Fax: +1 503 538 7600  
Email: info@hstool.com

### Asia Pacific Headquarters

Address: 308 Tanglin Rd #02-01, Singapore 247974  
Tel: +65 6801 0662  
Fax: +65 6801 0699  
Email: ClimaxAsia@cpmt.com

### European Headquarters

Address: Am Langen Graben 8, 52353 Düren, Germany  
Tel: (+49) (0) 2421 9177 0  
Fax: (+49) (0) 2421 9177 29  
Email: ClimaxEurope@cpmt.com

### Middle East Headquarters

Address: Warehouse #5, Plot: 369 272, Um Sequim Road, Dubai, UAE  
Tel: +971 4 321 0328  
Email: ClimaxUAE@cpmt.com

### United Kingdom Headquarters

Address: Unit 7 Castlehill Industrial Estate, Bredbury Industrial Park, Horsfield Way, Stockport SK6 2SU  
Tel: +44 (0) 161 406 1720  
Email: info@cpmt.com

Copyright © 2017 CLIMAX All Rights Reserved. CLIMAX has taken reasonable measures to ensure the accuracy of the information contained in this document. However, CLIMAX makes no warranties or representations with respect to the information contained herein; and CLIMAX shall not be held liable for damages resulting from any errors or omissions herein, or from the use of the information contained in this document.

